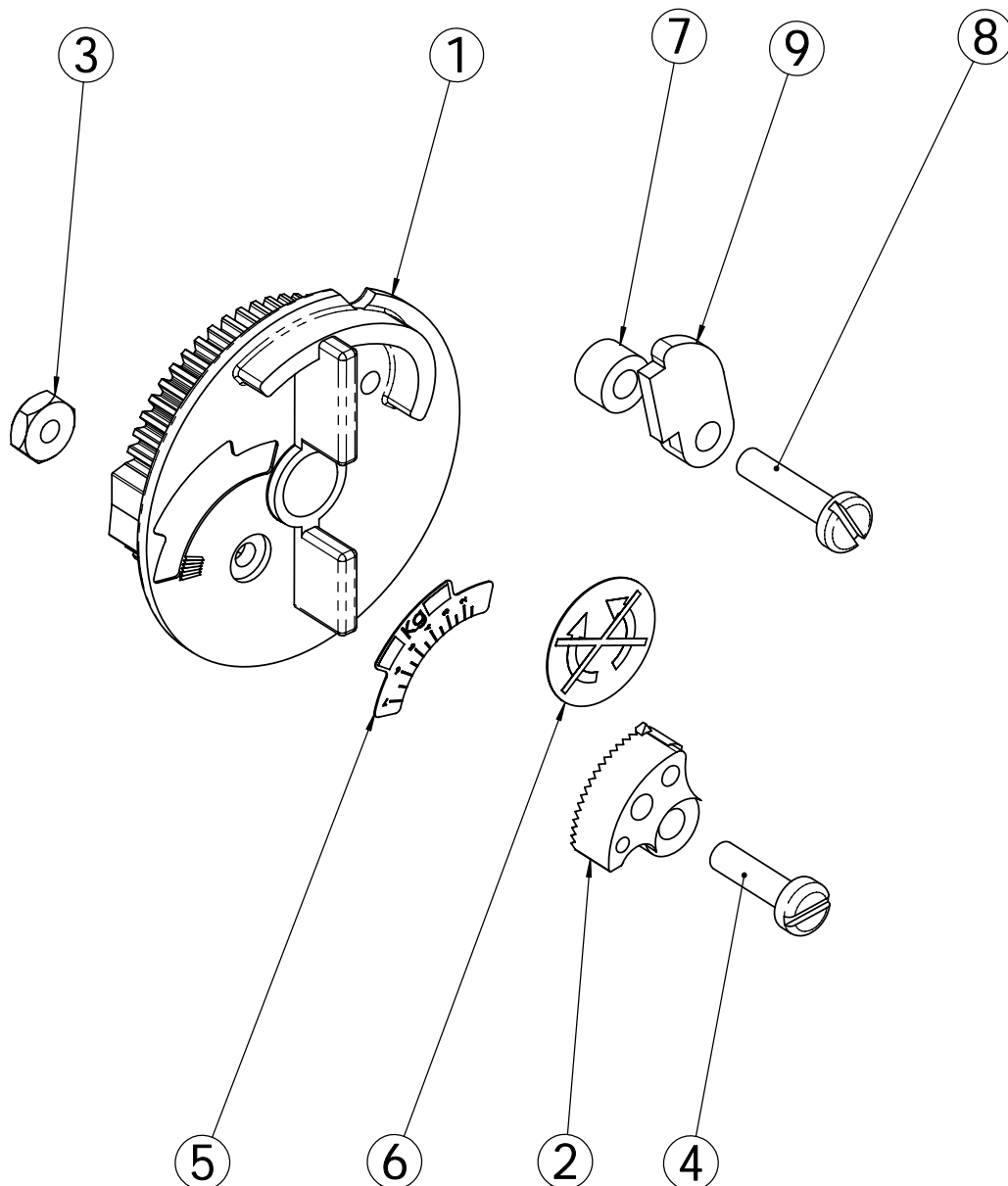
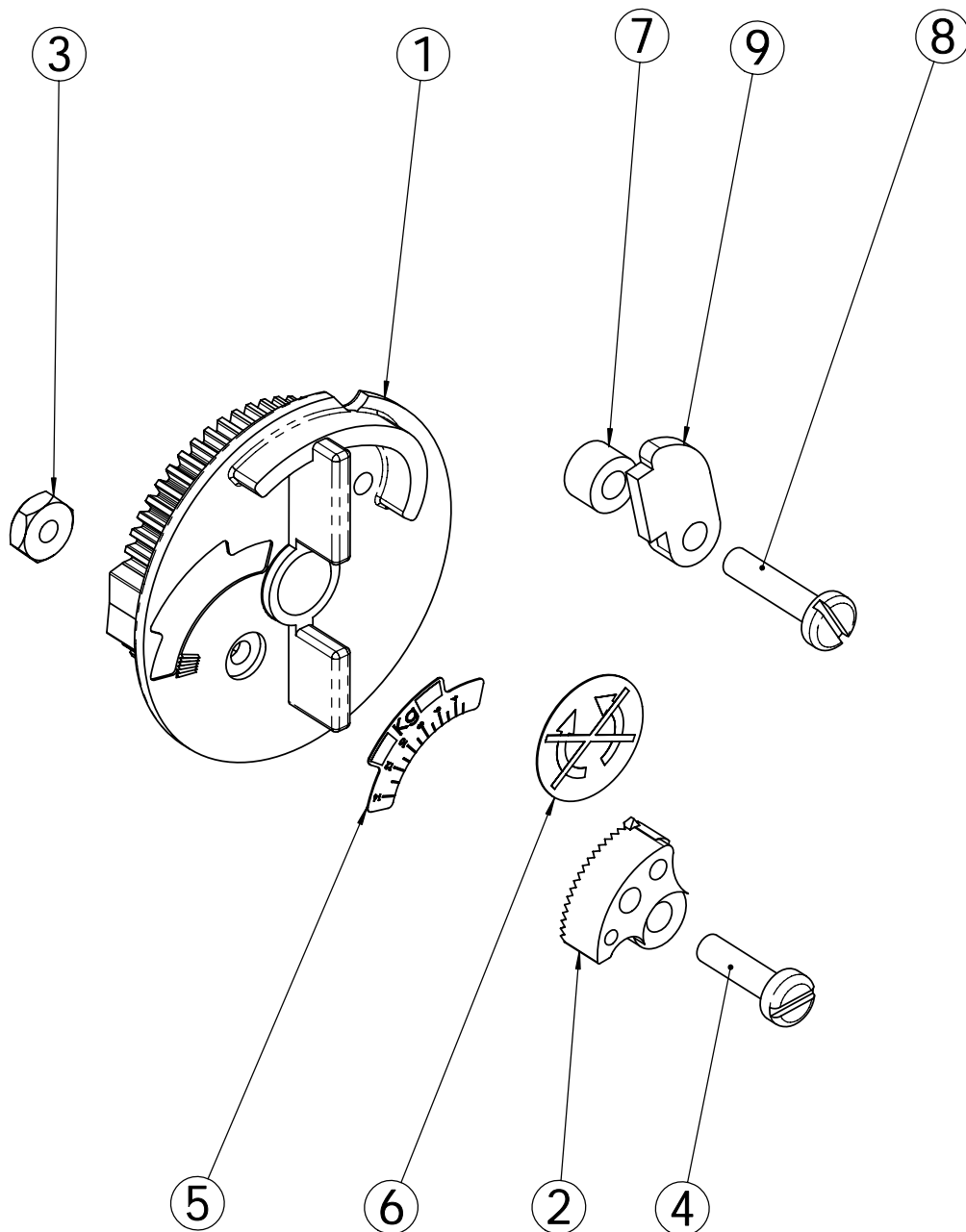


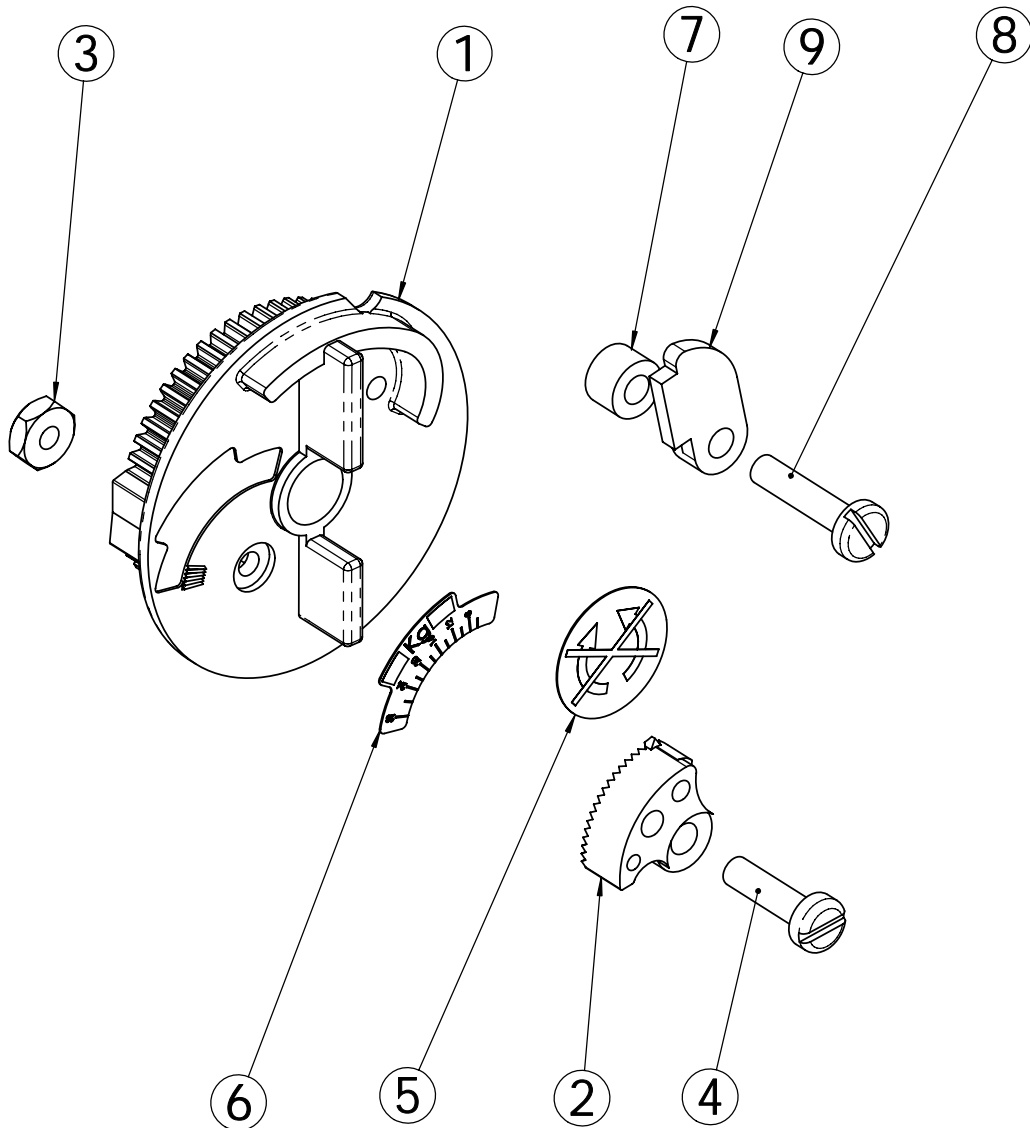
| ITEM | QTY | PART NO. | DESCRIPTION | NOM |
|------|-----|----------|-------------------------------|-----------------------------|
| 1 | 1 | 13168-01 | BRINE CAM | CAME DE SAUMURAGE |
| 2 | 1 | 41123 | TIME FILL CAM | CAME |
| 3 | 1 | 11081 | NUT | ECROU |
| 4 | 1 | 11980 | SCREW | VIS |
| 5 | 1 | 28231 | Salt label 1 - 3.5 KG | Etiquette de sel 1 - 3.5 KG |
| 6 | 1 | 26843 | BRINE CAM LABEL | LABEL CAME A SAUMURE |
| 7 | 1 | BU26069 | SPACER | ENTRETOISE |
| 8 | 1 | 15571 | SCREW,PAN HD,8-32 X 3/4 18-8S | Vis |
| 9 | 1 | 15572 | SWITCH CAM | CAME |



| ITEM | QTY | PART NO. | DESCRIPTION | NOM |
|------|-----|----------|-------------------------------|-----------------------------|
| 1 | 1 | 13168-01 | BRINE CAM | CAME DE SAUMURAGE |
| 2 | 1 | 41123 | TIME FILL CAM | CAME |
| 3 | 1 | 11081 | NUT | ECROU |
| 4 | 1 | 11980 | SCREW | VIS |
| 5 | 1 | 28232 | Salt label 1.5 - 7 KG | Etiquette de sel 1.5 - 7 KG |
| 6 | 1 | 26843 | BRINE CAM LABEL | LABEL CAME A SAUMURE |
| 7 | 1 | BU26069 | SPACER | ENTRETOISE |
| 8 | 1 | 15571 | SCREW,PAN HD,8-32 X 3/4 18-8S | Vis |
| 9 | 1 | 15572 | SWITCH CAM | CAME |



| ITEM | QTY | PART NO. | DESCRIPTION | NOM |
|------|-----|----------|-------------------------------|----------------------------|
| 1 | 1 | 13168-01 | BRINE CAM | CAME DE SAUMURAGE |
| 2 | 1 | 41123 | TIME FILL CAM | CAME |
| 3 | 1 | 11081 | NUT | ECROU |
| 4 | 1 | 11980 | SCREW | VIS |
| 5 | 1 | 28233 | Salt label 3 - 14 KG | Etiquette de sel 3 - 14 KG |
| 6 | 1 | 26843 | BRINE CAM LABEL | LABEL CAME A SAUMURE |
| 7 | 1 | BU26069 | SPACER | ENTRETOISE |
| 8 | 1 | 15571 | SCREW,PAN HD,8-32 X 3/4 18-8S | Vis |
| 9 | 1 | 15572 | SWITCH CAM | CAME |



| ITEM | QTY | PART NO. | DESCRIPTION | NOM |
|------|-----|----------|-------------------------------|----------------------------|
| 1 | 1 | 13168-01 | BRINE CAM | CAME DE SAUMURAGE |
| 2 | 1 | 41123 | TIME FILL CAM | CAME |
| 3 | 1 | 11081 | NUT | ECROU |
| 4 | 1 | 11980 | SCREW | VIS |
| 5 | 1 | 26843 | BRINE CAM LABEL | LABEL CAME A SAUMURE |
| 6 | 1 | 28234 | Salt label 6 - 28 KG | Etiquette de sel 6 - 28 KG |
| 7 | 1 | BU26069 | SPACER | ENTRETOISE |
| 8 | 1 | 15571 | SCREW,PAN HD,8-32 X 3/4 18-8S | Vis |
| 9 | 1 | 15572 | SWITCH CAM | CAME |