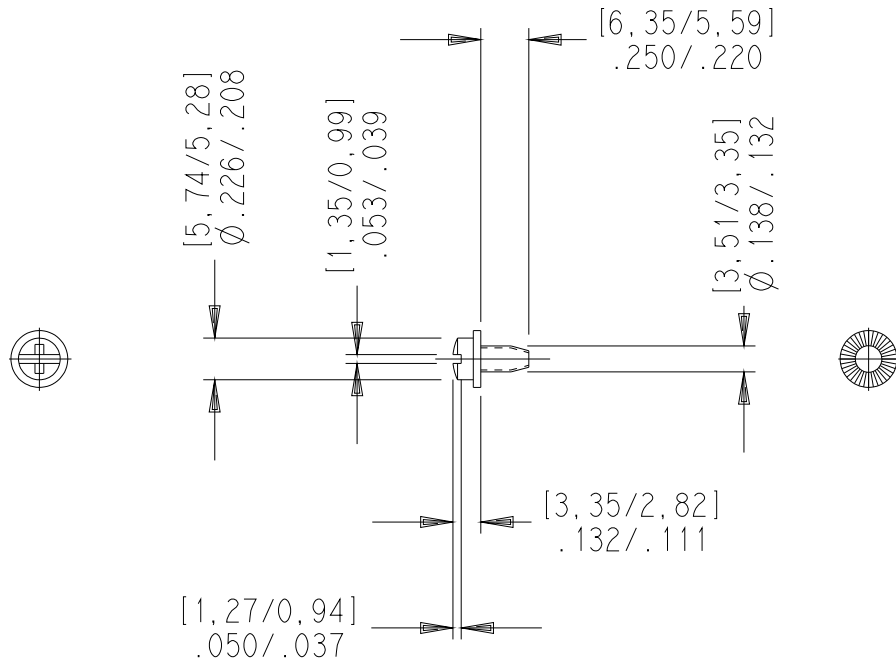


26885



HIGH PERFORMANCE THREAD FORMING SCREW,
 6-32 X 1/4 LONG FILLISTER,
 COMBINATION #2 PHILLIPS & SLOT.
 ABBOTT INTERFAST CORPORATION
 REFORM 360 THREAD ROLLING SCREW
 HEAT TREATED STEEL, ZINC PLATED.

						FLECK CONTROLS SAS		
						SCREW		
						MAN	1X	SEE ABOVE
0	NEW	MS		2971fe	14/5/98		15/5/98	
NO.	REVISION	BY	CK	ECO#	DATE	5600POWER HEAD		26885